



HAL
open science

First steps toward a simple but efficient model-free control synthesis for variable-speed wind turbines

Frédéric Lafont, Jean-François Balmat, Cédric Join, Michel Fließ

► To cite this version:

Frédéric Lafont, Jean-François Balmat, Cédric Join, Michel Fließ. First steps toward a simple but efficient model-free control synthesis for variable-speed wind turbines. *International Journal of Circuits, Systems and Signal Processing*, 2020, 14, pp.1181-1191. 10.46300/9106.2020.14.146 . hal-02999333v2

HAL Id: hal-02999333

<https://polytechnique.hal.science/hal-02999333v2>

Submitted on 19 Jan 2021

HAL is a multi-disciplinary open access archive for the deposit and dissemination of scientific research documents, whether they are published or not. The documents may come from teaching and research institutions in France or abroad, or from public or private research centers.

L'archive ouverte pluridisciplinaire **HAL**, est destinée au dépôt et à la diffusion de documents scientifiques de niveau recherche, publiés ou non, émanant des établissements d'enseignement et de recherche français ou étrangers, des laboratoires publics ou privés.

First steps toward a simple but efficient model-free control synthesis for variable-speed wind turbines

Frédéric Lafont

Aix Marseille Université, Université de Toulon
CNRS, ENSAM, LIS UMR 7020
13397 Marseille, France
lafont@univ-tln.fr

Jean-François Balmat

Aix Marseille Université, Université de Toulon
CNRS, ENSAM, LIS UMR 7020
13397 Marseille, France
balmat@univ-tln.fr

Cédric Join

Université de Lorraine, CRAN (UMR CNRS 7039)
BP 239, 54506 Vandœuvre-lès-Nancy, France
cedric.join@univ-lorraine.fr

&

AL.I.E.N

7 rue Maurice Barrès, 54330 Vézelize, France
cedric.join@alien-sas.com

Michel Fliess

École polytechnique, LIX (UMR CNRS 7161)
91128 Palaiseau, France
Michel.Fliess@polytechnique.edu

&

AL.I.E.N

7 rue Maurice Barrès, 54330 Vézelize, France
michel.fliess@alien-sas.com

Abstract—Although variable-speed three-blade wind turbines are nowadays quite popular, their control remains a challenging task. We propose a new easily implementable model-free control approach with the corresponding intelligent controllers. Several convincing computer simulations, including some fault accommodations, shows that model-free controllers are more efficient and robust than classic proportional-integral controllers.

Index Terms—Variable-speed wind turbine, three-blade wind turbine, power control, model-free control, intelligent controllers, proportional-integral controllers, fault accommodation.

I. INTRODUCTION

Wind energy has been the focus of growing interest for many years. Improving the performances and profitability of wind turbines is currently a burgeoning research topic. Deriving efficient control strategies plays therefore a key rôle (see, e.g., [1]–[5]). Advanced techniques are often investigated in the academic literature.

Our study concerns the three-blade machines. They gradually became dominant during the late 1980s. To control such a turbine, a distinction (Fig. 1) is made between the variable speed operating mode (low-speed region) and the power regulation mode (high-speed region) [6], [7]. In the low-speed region, the wind turbine operates under the nominal power. The purpose of the control is to make maximum use of wind energy and to vary the rotor speed according to the generator torque. In the high-speed region, blade pitch and generator torque can be used for power control. The objective is no longer to maximize the wind energy capture but rather to regulate the energy produced around a nominal value, i.e., around the rated electrical power P_{rated} of the turbine: See Fig. 1.

Although the severe shortcomings of Proportional-Integral (PI) and Proportional-Integral-Derivative (PID) controllers are well known [8], [9], they remain most popular in the industrial world, including wind turbines. Therefore they are still studied in the academic literature on wind turbines [10]–[12].

This paper is devoted to the utilization of *model-free control* (MFC) in the sense of [13]:

- It keeps the benefits of PIs and PIDs, and, especially, the futility of almost any mathematical modeling.
- Most of the deficiencies of PIs and PIDs are mitigated.
- Its implementation turns out to be often simpler, when compared to PIs and PIDs.

MFC has been successfully applied all over the world as demonstrated by the references in [13]–[15]. See already [16], [17] for its relevance to wind turbine. We show here the interest of MFC to control the pitch angle and the generator torque for low and high winds.

Remark 1: The enormous difficulty of writing down a suitable mathematical modeling of wind turbines explains why other model-free settings have been proposed (see, e.g., [18]). They are mostly based on various optimization techniques.

Remark 2: A patent (*Électricité de France (EDF)* and *École polytechnique*) has been associated to the use of MFC for hydroelectric power plants [19], i.e., to another green energy production.

Our paper is organized as follows. For the sake of computer simulations Section II provide short mathematical descriptions of wind turbines and of the wind. MFC is briefly recalled in Section III. Computer simulations are presented in Section IV where fault accommodations are considered: They show a striking superiority of MFC with respect to a classical PI.

Some concluding suggestions for future research are sketched in Section V.

II. MATHEMATICAL MODELINGS FOR COMPUTER SIMULATIONS

A. Wind turbine

Let us emphasize that the model below is more or less improper for deriving control laws. What follows is borrowed from [7], [20]–[22].

See Table I for some useful parameters where

TABLE I
WIND TURBINE PARAMETERS

Variable	Value
J_t (kgm^2)	$3.89 \cdot 10^5$
K_t ($Nm/rad/s$)	400
ρ (kgm^3)	1.29
R (m)	21.65
$max T_g$ (kNm)	162
P_{rated} (kW)	600

- ρ is the air density (kg/m^3),
- R is the radius of the blade (m),
- V is the wind speed (m/s),
- T_g is the generator torque (Nm),
- $max T_g$ is the maximum value of T_g ,
- J_t is the combined inertia of the turbine and generator (kgm^2),
- K_t is the the damping coefficient of the turbine ($Nm/rad/s$),
- $C_p(\lambda, \beta)$ is the power conversion coefficient. It depends on the tip-speed ratio λ and the pitch angle β :

$$C_p(\lambda, \beta) = c_1 \left(\frac{c_2}{\lambda_i} - c_3\beta - c_4 \right) \exp\left(\frac{-c_5}{\lambda_i}\right) + c_6\lambda$$

$$\frac{1}{\lambda_i} = \frac{1}{\lambda + 0.08\beta} - \frac{0.035}{\beta^3 + 1}$$

See Table II for the coefficients $c_\kappa, \kappa = 1, \dots, 6$.

TABLE II
COEFFICIENTS FOR THE POWER CONVERSION COEFFICIENT

Coefficient	Value
c_1	0.4
c_2	116
c_3	0.4
c_4	5
c_5	21
c_6	0.02

The output power of wind turbines is given by

$$P_t (W) = \frac{1}{2}\rho\pi R^2 C_p(\lambda, \beta) V^3$$

The tip-speed ratio is defined by

$$\lambda = \frac{R\omega_t}{V}$$

where ω_t is the turbine angular speed (rad/s).

Write the turbine torque

$$T_t = \frac{1}{2}\rho\pi R^3 V^2 \frac{C_p(\lambda, \beta)}{\lambda}$$

If a perfectly rigid low-speed shaft is assumed, a one-mass model of the turbine (see Fig. 2) may be expressed by

$$J_t \dot{\omega}_t = T_t - K_t \omega_t - T_g$$

B. Wind

The wind speed V may vary considerably. Its variation may be modeled as a finite sum of harmonics in the frequency range 0.1-10 Hz:

$$V = V_{moy} \left[1 + \sum_{finite} A_k \sin(\omega_k t) \right] \quad (1)$$

V_{moy} is the mean speed, A_k is the magnitude of the k th sine wave of frequency ω_k [23]. Eq. (1) reads here

$$V = V_{moy} [1 + A_1 \sin(0.1047t) + A_2 \sin(0.2674t) + A_3 \sin(1.309t) + A_4 \sin(3.696t)]$$

See Table III for the coefficients $A_\iota, \iota = 1, \dots, 4$.

TABLE III
COEFFICIENT MAGNITUDES WITH RESPECT TO THE MEAN WIND SPEED

Mean wind speed V_{moy} (m/s)	Coefficients			
	A_1	A_2	A_3	A_4
7	0.029	0.286	0.143	0.029
8	0.025	0.25	0.125	0.025
9	0.022	0.222	0.111	0.022
16	0.0125	0.125	0.0625	0.0125
20	0.01	0.1	0.05	0.01

III. MODEL-FREE CONTROL AND INTELLIGENT CONTROLLERS¹

For the sake of notational simplicity, let us restrict ourselves to single-input single-output (SISO) systems.

A. The ultra-local model

The unknown global description of the plant is replaced by the following first-order *ultra-local model*:

$$\dot{y} = F + \alpha u \quad (2)$$

where:

- 1) The control and output variables are respectively u and y .
- 2) $\alpha \in \mathbb{R}$ is chosen by the practitioner such that the three terms in Equation (2) have the same magnitude.

The following comments are useful:

- F is *data driven*: it is given by the past values of u and y .
- F includes not only the unknown structure of the system but also any disturbance.

¹See [13] for more details.

B. Intelligent controllers

Close the loop with the *intelligent proportional controller*, or *iP*,

$$u = -\frac{F_{\text{est}} - \dot{y}^* + K_P e}{\alpha} \quad (3)$$

where

- y^* is the reference trajectory,
- $e = y - y^*$ is the tracking error,
- F_{est} is an estimated value of F
- $K_P \in \mathbb{R}$ is a gain.

Equations (2) and (3) yield

$$\dot{e} + K_P e = F - F_{\text{est}}$$

If the estimation F_{est} is “good”: $F - F_{\text{est}}$ is “small”, *i.e.*, $F - F_{\text{est}} \simeq 0$, then $\lim_{t \rightarrow +\infty} e(t) \simeq 0$ if $K_P > 0$. It implies that the tuning of K_P is straightforward. This is a major benefit when compared to the tuning of “classic” PIDs (see, *e.g.*, [8], [9], [24]).

C. Estimation of F

Mathematical analysis [25] tells us that under a very weak integrability assumption, any function, for instance F in Eq. (2), is “well” approximated by a piecewise constant function.

1) *First approach*: Rewrite then Eq. (2) in the operational domain [26]:

$$sY = \frac{\Phi}{s} + \alpha U + y(0)$$

where Φ is a constant. We get rid of the initial condition $y(0)$ by multiplying both sides on the left by $\frac{d}{ds}$:

$$Y + s \frac{dY}{ds} = -\frac{\Phi}{s^2} + \alpha \frac{dU}{ds}$$

Noise attenuation is achieved by multiplying both sides on the left by s^{-2} , *i.e.*, via integration [27]. It yields in the time domain the real-time estimate, thanks to the equivalence between $\frac{d}{ds}$ and the multiplication by $-t$,

$$F_{\text{est}}(t) = -\frac{6}{\tau^3} \int_{t-\tau}^t [(\tau - 2\sigma)y(\sigma) + \alpha\sigma(\tau - \sigma)u(\sigma)] d\sigma$$

where $\tau > 0$ might be quite small. This integral, which is a low pass filter, may of course be replaced in practice by a classic digital filter.

2) *Second approach*: Close the loop with the *iP* (3). It yields:

$$F_{\text{est}}(t) = \frac{1}{\tau} \left[\int_{t-\tau}^t (y^* - \alpha u - K_P e) d\sigma \right]$$

Remark 3: Let us emphasize that implementing our intelligent controllers is easy [13], [28].

D. MIMO systems

Consider a multi-input multi-output (MIMO) system with m control variables u_i and m output variables y_i , $i = 1, \dots, m$, $m \geq 2$. It has been observed in [29] and confirmed by all encountered concrete case-studies (see, *e.g.*, [30]), that such a system may usually be regulated via m monivariable ultra-local models:

$$y_i^{(n_i)} = F_i + \alpha_i u_i$$

where F_i may also depend on u_j , y_j , and their derivatives, $j \neq i$.

IV. SIMULATION RESULTS

Write P_e the electrical power of the turbine. Define, according to Fig. 1, the following regions:

- Low-speed region: $V_{\text{cut-in}} \leq V < V_{\text{rated}}$, $P_e < P_{\text{rated}}$.
- High-speed region: $V_{\text{rated}} \leq V \leq V_{\text{cut-off}}$, $P_e = P_{\text{rated}}$.

A. Simulation with an alternating wind in the low-speed region

Fig. 3 presents the monovariable structure of the controller with a low-speed wind. See

- if $t < 200$ s then $V_{\text{moy}} = 7$ m/s,
- if $t > 200$ s, $t < 400$ s then $V_{\text{moy}} = 8$ m/s,
- if $t > 400$ s then $V_{\text{moy}} = 9$ m/s,

and Fig. 4. Performances of PI and iP controllers are compared.

1) *iP*: The parameters K_P and α are given in the Table IV. As explained in Section III, τ must be chosen quite small.

TABLE IV
 iP CONTROLLER PARAMETERS FOR THE WEAK WIND

Variable	Control of T_g
K_P	-0.45
α	0.0005
τ	20

Fig. 5 shows the efficiency of the iP controller:

- The turbine angular speed ω_t oscillates around the reference value.
- This reference value varies in function of the wind speed value.
- The blade pitch angle β varies between 0 and 2 degrees.
- Blades are positioned to recover the maximum energy.
- The generator torque T_g is limited to 162 kNm.

2) *PI*: For T_g , the Ziegler-Nichols method (see, *e.g.*, [24]) yield the coefficients of the PI controller: see Table V:

TABLE V
 PI CONTROLLER PARAMETERS FOR THE WEAK WIND

Variable	Control of T_g
K_P	500
K_I	10

See Fig. 6 for the results.

3) *Performances comparison of the two controllers:* The aim is to maximize the wind energy P_t . The mean absolute error (MAE) and the corresponding standard deviation for each controller are evaluated for the iP and PI: See Table VI. The mean of the output power, which is calculated between $t = 60$ s, where the steady state is established, and the final time $t = 600$ s, is higher with the iP. The iP is thus more efficient.

TABLE VI
MAE AND STANDARD DEVIATION COMPARISON FOR ω_t AND P_t WITH AN ALTERNATING WIND IN THE LOW-SPEED REGION

		Controller		iP	PI
Weak wind	ω_t (rad/s)	MAE		0.43	0.61
		standard deviation		0.55	0.70
	P_t (kW)	MAE		279	278
		standard deviation			

B. Simulation with an alternating wind in the high-speed region

Fig. 7 exhibits the new MIMO control structure with 2 control and output variables. See Fig. 8 for the wind. There are two operating points:

- if $t < 300$ s then $V_{moy} = 16$ m/s,
- if $t > 300$ s then $V_{moy} = 20$ m/s.

1) *iPs:* See Table VII for the choice K_P , α and τ . As depicted by Fig. 9,

- P_e remains stable around $P_{rated} = 600$ kW,
- ω_t remains close to the reference,
- 1) the initial value of β is equal to 30 degrees,
- 2) then it is approximately equal to 21 degrees until $t = 300$ s when the steady state is established,
- 3) for $t > 300$ s it fluctuates around 29 degrees when the mean wind speed increases to 20 m/s,
- the value of T_g stays around 130 kNm when the steady state is established.

TABLE VII
MODEL-FREE CONTROL PARAMETERS FOR THE STRONG WIND

Variable	Control of β	Control of T_g
K_P	-4	3
α	1	1000
τ	20	20

2) *PIs:* See Table VIII for the gains of the two PIs which are again determined via the Ziegler-Nichols method. According to Fig. 10, their performances are poorer.

TABLE VIII
PI CONTROLLER PARAMETERS FOR THE STRONG WIND

Variable	Control of β	Control of T_g
K_P	-0.006	-0.0003
K_I	0.52	-0.00026

3) *Performances comparison of the two controllers:* The main objective is not to maximize the electrical production but to maintain it close to $P_{rated} = 600$ kW as shown in Fig. 1. As in Section IV-A3 MAE and standard deviation are reported in Table IX. They confirm the marked superiority of iP.

Remark 4: The advances of intelligent controllers with respect to PIDs were already noticed several times. See [31], [32] for two recent most convincing examples.

TABLE IX
MAE AND STANDARD DEVIATION COMPARISON FOR ω_t AND P_e WITH AN ALTERNATING WIND IN THE HIGH-SPEED REGION

		Controller		Intelligent P	Classical PI
Strong wind	ω_t (rad/s)	mean		0.33	0.38
		standard deviation		0.39	0.45
	P_e (kW)	mean		32	48
		standard deviation		38	56

C. Fault accommodation and iP

Simulate, as proposed by [33], an actuator fault, occurring at $t = 300$ s with a wind speed equal to 16 m/s, with respect to the electromagnetic torque T_g :

- a loss of efficiency equal to 15%, *i.e.*,

$$T_{g \text{ actuator}} = 0.85 \times T_g$$

where $T_{g \text{ actuator}}$ is the control applied to the turbine;

- a bias fault equal to 50 kNm, *i.e.*,

$$T_{g \text{ actuator}} = T_g - 50$$

1) *Loss of efficiency:* Fig. 11 depicts the good results for the iP. Let us emphasize that our setting is modifying β .

2) *Bias fault:* Fig. 12 exhibits similar results to those in Section IV-C1.

V. CONCLUSION

The promising simulations depicted here need of course to be confirmed, especially via some concrete plants. The behavior of our control strategy with respect to the unavoidable vibrations (see, *e.g.*, [34], [35]) should of course be clarified. For a better energy management, some forecasting of the wind power is crucial. It would be rewarding to extend the time series techniques for photovoltaic energy [36], which bears some similarity with MFC.

REFERENCES

- [1] N. Luo, Y. Vidal, L. Acho, *Wind Turbine Control and Monitoring*, Springer, 2014.
- [2] J.G. Njiri, D. Söffker, "State-of-the-art in wind turbine control: Trends and challenges," *Renew. Sustain. Energy Reviews*, vol. 60, 2016, pp. 377–393.
- [3] E.J. Novaes Menezes, A.M. Arajo, N.S. Bouchonneau da Silva, "A review on wind turbine control and its associated methods," *J. Clean. Prod.*, vol. 174, 2018, pp. 945–953.
- [4] W.H. Lio, *Blade-Pitch Control for Wind Turbine Load Reductions*, Springer, 2018.
- [5] M. Ghanavati, A. Chakravarthy, "PDE-based modeling and control for power generation management of wind farms," *IEEE Trans. Sustain. Energ.*, vol. 10, 2019, pp. 2104–2113.
- [6] S. A. De La Salle, D. Reardon, W. E. Leithead, M. J. Grimble, "Review of wind turbine control," *Int. J. Contr.*, vol. 52, 1990, pp. 1295–1310.
- [7] W. Meng, Y. Ying, Y. Sun, Z. Yang, Y. Sun, "Adaptive Power Capture Control of Variable-Speed Wind Energy Conversion Systems With Guaranteed Transient and Steady-State Performance," *IEEE Trans. Ener. Convers.*, vol. 28, 2013, pp. 716–725.
- [8] K. Åstrom, T. Hägglund, *Advanced PID Control*, Instrument Soc. Amer., 2006.
- [9] A. O'Dwyer, *Handbook of PI and PID Controller Tuning Rules* (3rd ed.), Imperial College Press, 2009.
- [10] H. Habibi, H. R. Nohooji, I. Howard, "Adaptive PID control of wind turbines for power regulation with unknown control direction and actuator faults," *IEEE Access*, vol. 6, 2018, pp. 37464–37479.
- [11] M. Mirzaei, C. Tibaldi, M.H. Hansen, "PI controller design of a wind turbine: evaluation of the pole-placement method and tuning using constrained optimization," *J. Phys. Conf. Ser.*, vol. 753, 2016.
- [12] Y. Ren, L. Li, J. Brindley, L. Jiang, "Nonlinear PI control for variable pitch wind turbine," *Contr. Engin. Pract.*, vol. 50, 2016, pp. 84–94.
- [13] M. Fliess, C. Join, "Model-free control," *Int. J. Contr.*, vol. 86, 2013, pp. 2228–2252.
- [14] O.Bara, M.Fliess, C. Join, J. Day, S.M. Djouadi, "Toward a model-free feedback control synthesis for treating acute inflammation," *J. Theoret. Biology*, vol. 448, 2018, pp. 26–37.
- [15] M. Fliess, C. Join, "Machine learning and control engineering: The model-free case," *Future Techno. Conf.*, Vancouver, 2020.
<https://hal.archives-ouvertes.fr/hal-02851119/en/>
- [16] S. Li, H. Wang, Y. Tian, A. Aitouch, J. Klein, "Direct power control of DFIG wind turbine systems based on an intelligent proportional-integral sliding mode control," *ISA Transactions*, vol. 64, 2016, pp. 431–439.
- [17] A. Ardjal, M. Bettayeb, R. Mansouri, A. Mehiri, "Model-free intelligent proportional-integral control of a wind turbine for MPPT," *Int. Conf. Elec. Comput. Techno. App.*, Aurak (UAE), 2017.
- [18] M. Abouheaf, W. Gueaieb, A. Sharaf, "Model-free adaptive learning control scheme for wind turbines with doubly fed induction generators," *IET Renew. Power Generat.*, vol. 12, 2018, pp. 1659–1667.
- [19] C. Join, G. Robert, M. Fliess, "Vers une commande sans modèle pour aménagements hydroélectriques en cascade," *6^e Conf. Internet. Francoph. Automat.*, Nancy, 2010. <https://hal.inria.fr/inria-00460912/en/>
- [20] S. Heier, "Grid Integration of Wind Energy Conversion Systems," *John Wiley & Sons Ltd*, vol. 20, 1998, pp. 521–527.
- [21] K. Kyung-Hyun, V. Tan Luong, L. Dong-Choon, S. Seung-Ho, K. Eel-Hwan, "Maximum Output Power Tracking Control in Variable-Speed Wind Turbine Systems Considering Rotor Inertial Power," *IEEE Transactions on Industrial Electronics*, vol. 60(8), 2013, pp. 3207–3217.
- [22] B. Boukhezzar, L. Lupu, H. Siguerdidjane, M. Hand, "Multivariable control strategy for variable speed, variable pitch wind turbines," *Renewable Energy*, vol. 32, 2007, pp. 1273–1287.
- [23] R. Melicio, V.M.F. Mendes, J.P.S. Catalao, "Full-Power Converter Wind Turbines with Permanent Magnet Generator: Modeling, Control and Simulation," *Proc. IEEE Inte. Elect. Mach. Drives*, Miami, 2009.
- [24] G.F. Franklin, J.D. Powell, A. Emami-Naeini, *Feedback Control of Dynamic Systems* (8th ed.), Pearson, 2019.
- [25] A. Rudin, *Functional Analysis* (2nd ed.), McGraw-Hill, 1991.
- [26] K. Yosida, *Operational Calculus* (translated from the Japanese), Springer, 1984.
- [27] M. Fliess, "Analyse non standard du bruit," *C.R. Acad. Sci. Paris Ser. I*, vol. 342, 2006, pp. 797–802.
- [28] C. Join, F. Chaxel, M. Fliess, "Intelligent controllers on cheap and small programmable devices," *2nd Int. Conf. Control Fault-Tolerant Syst.*, Nice, 2013.
<https://hal.archives-ouvertes.fr/hal-00845795/en/>
- [29] F. Lafont, J.-F. Balmat, N. Pessel, M. Fliess, "A model-free control strategy for an experimental greenhouse with an application to fault accommodation," *Comput. Electron. Agricult.*, vol. 110, 2015, pp. 139–149.
- [30] Y. Wang, H. Li, R. Liu, L. Yang, X. Wang, X., "Modulated model-free predictive control with minimum switching losses for PMSM drive system," *IEEE Access*, vol. 8, 2020, pp. 20942–20953.
- [31] J. Villagra, C. Join, R. Haber, M. Fliess, "Model-free control for machine tools," *21st IFAC World Congress*, Berlin, 2020.
<https://hal.archives-ouvertes.fr/hal-02568336/en/>
- [32] M. Clouatre, M. Thitsa, M. Fliess, C. Join, "A robust but easily implementable remote control for quadrotors: Experimental acrobatic flight tests," *9th Int. Conf. Advanc. Techno.*, Istanbul, 2020.
<https://hal.archives-ouvertes.fr/hal-02910179/en/>
- [33] H. Badihi, Y. Zhang, H. Hong, "Wind turbine fault diagnosis and fault-tolerant torque load control against actuator faults," *IEEE Trans. Contr. Syst. Techno.*, vol. 23, 2015, pp. 1351–1372.
- [34] W. He, S.S. Ge, "Vibration control of a nonuniform wind turbine tower via disturbance observer," *IEEE/ASME Trans. Mechatron.*, Vol. 20, 2014, pp. 237–244.
- [35] S. Gao, J. Liu, "Adaptive fault-tolerant vibration control of a wind turbine blade with actuator stuck," *Int. J. Contr.*, vol. 93, 2020, pp. 713–724.
- [36] M. Fliess, C. Join, C. Voyant, "Prediction bands for solar energy: New short-term time series forecasting techniques," *Solar Energy*, vol. 166, 2018, pp. 519–528.

**Creative Commons Attribution License 4.0
(Attribution 4.0 International, CC BY 4.0)**

This article is published under the terms of the Creative Commons Attribution License 4.0

https://creativecommons.org/licenses/by/4.0/deed.en_US

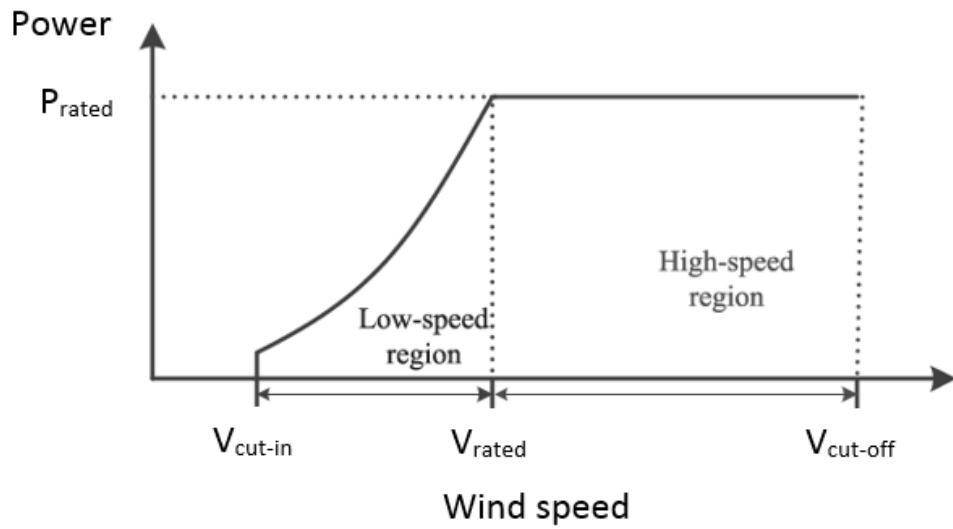


Fig. 1. Operating range [7]

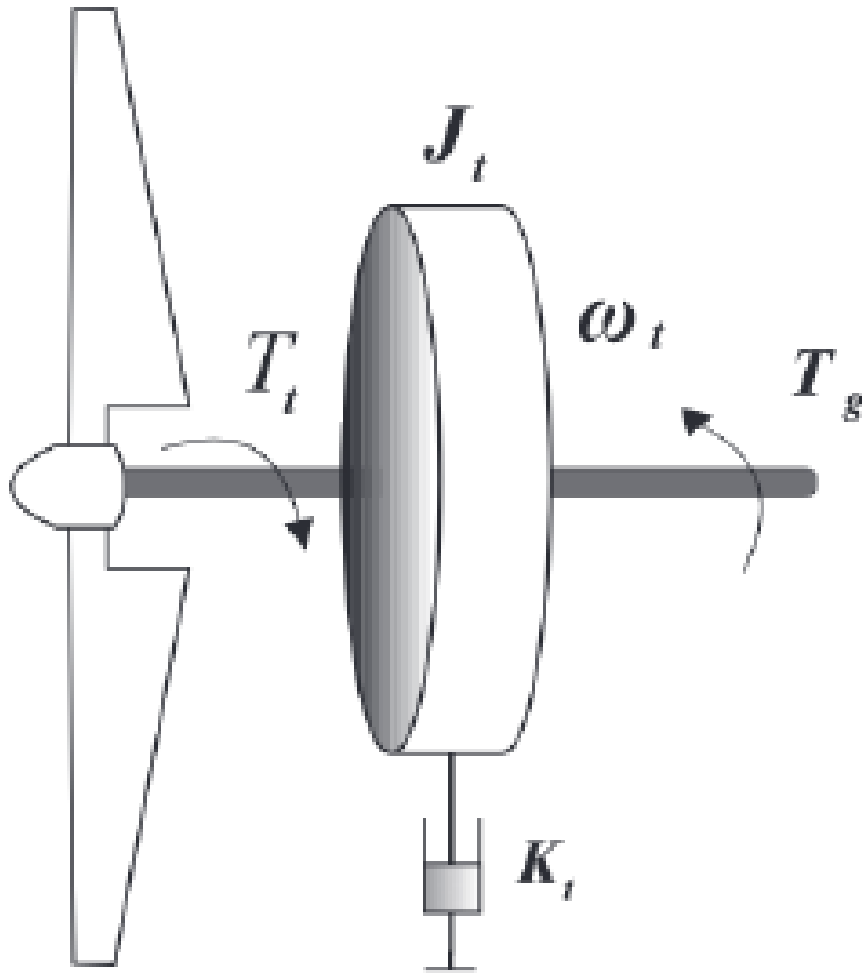


Fig. 2. One-mass model of a wind turbine [22]

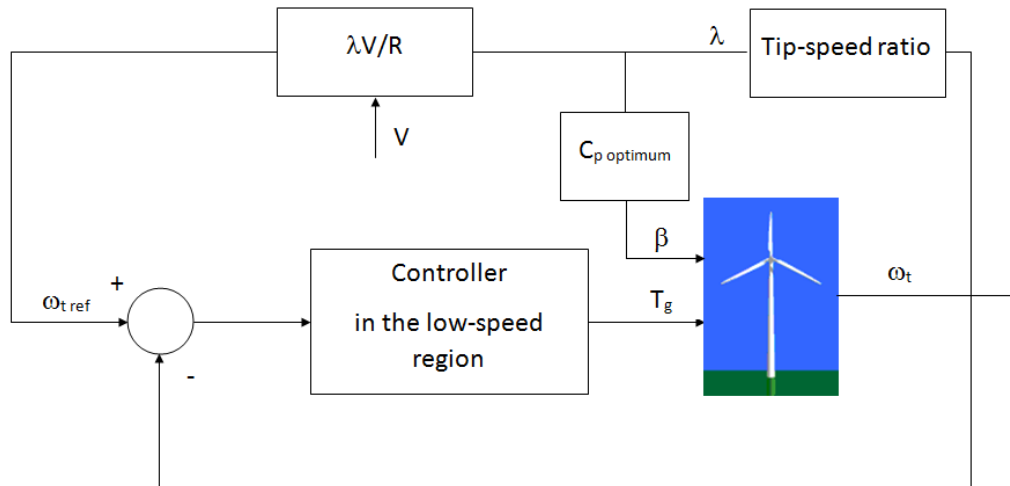


Fig. 3. Block diagram in the low-speed region

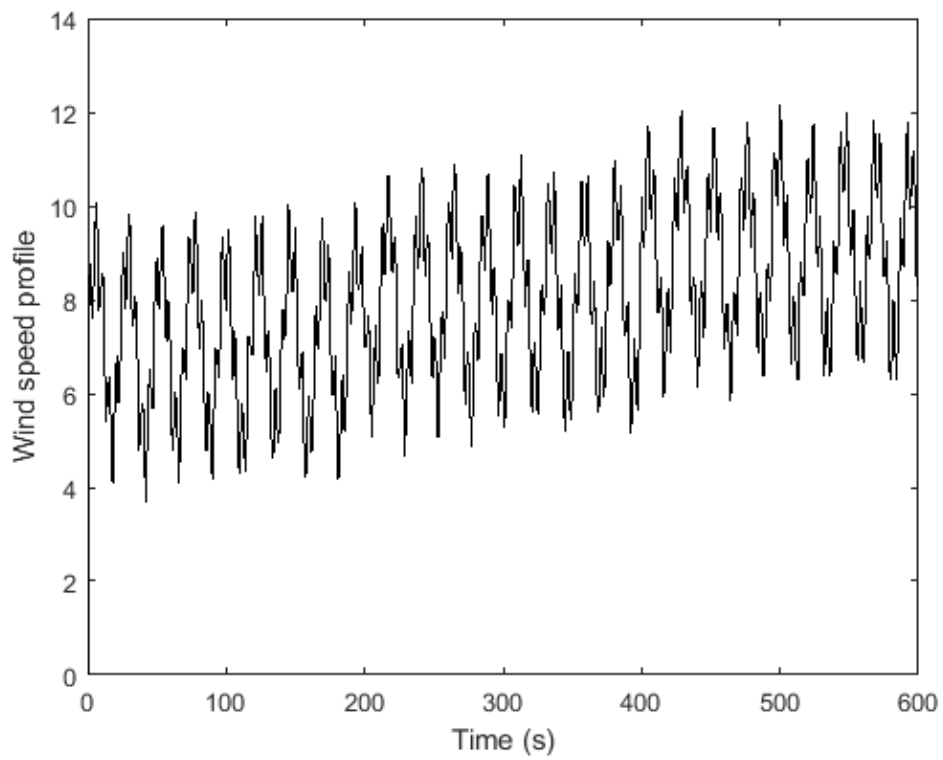


Fig. 4. Alternating wind in the low-speed region

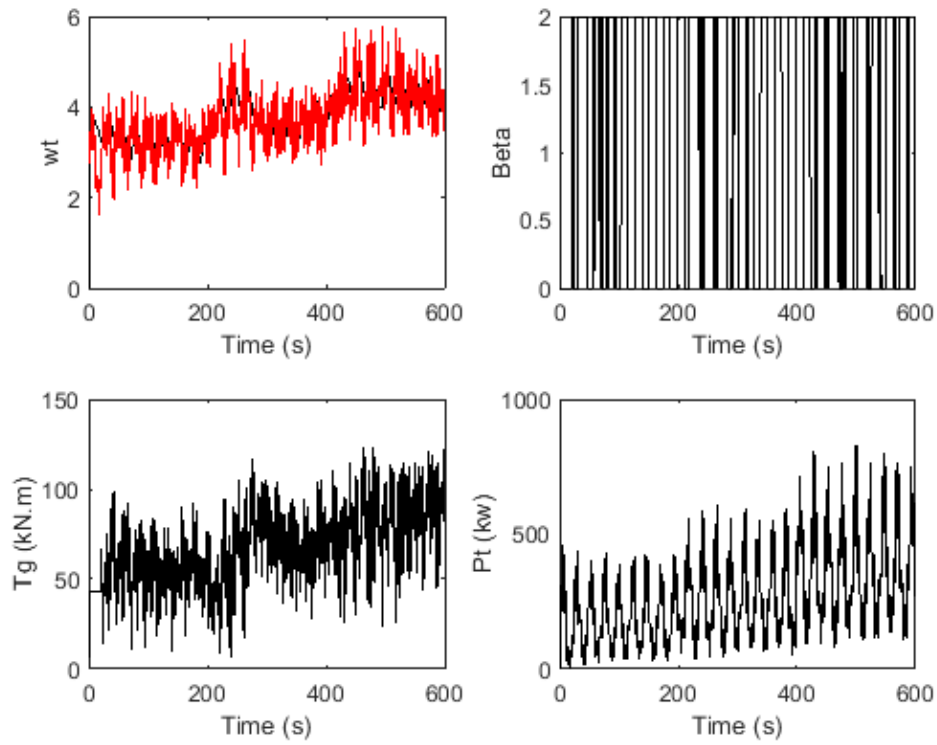


Fig. 5. Control of ω_t and P_e with an alternating wind in the low-speed region (iP controller)

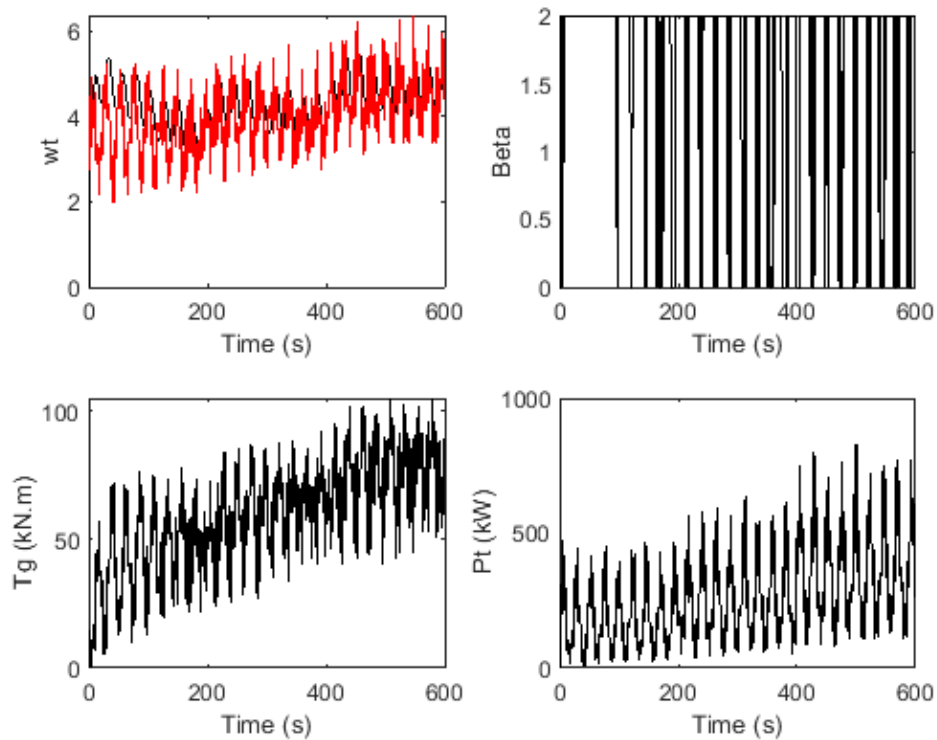


Fig. 6. Control of ω_t and P_e with alternating wind in the low-speed region (PI controller)

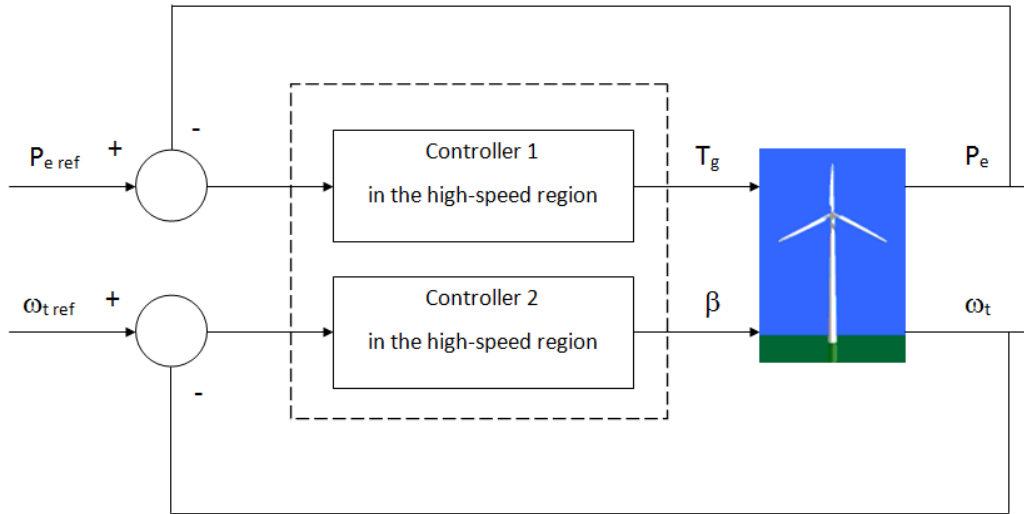


Fig. 7. Block diagram in the high-speed region

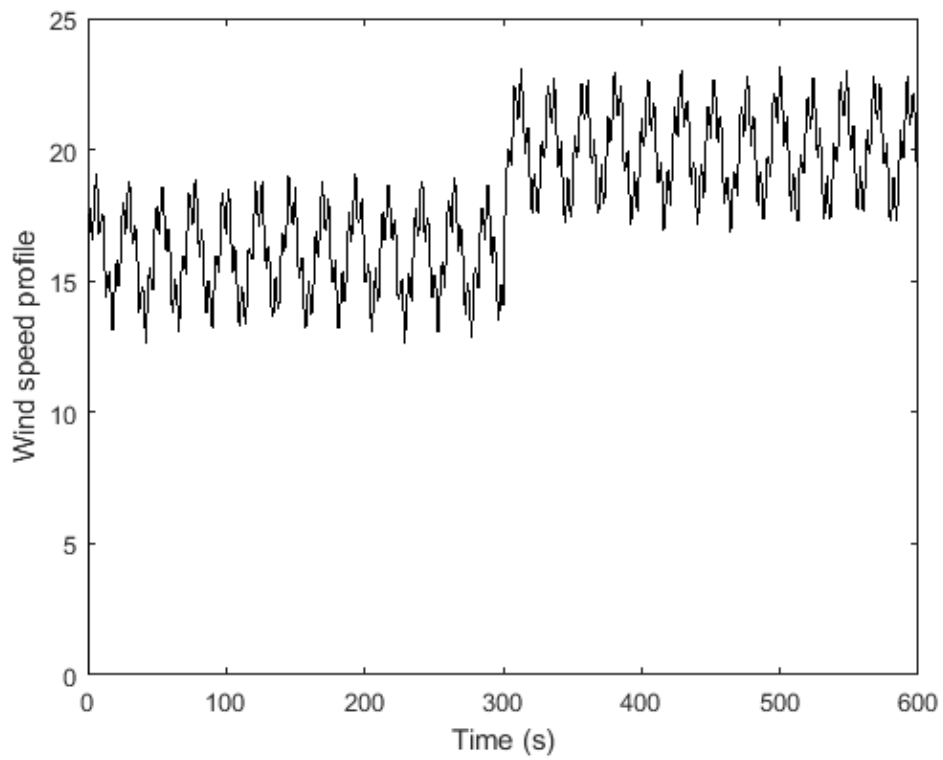


Fig. 8. Alternating wind in the high-speed region

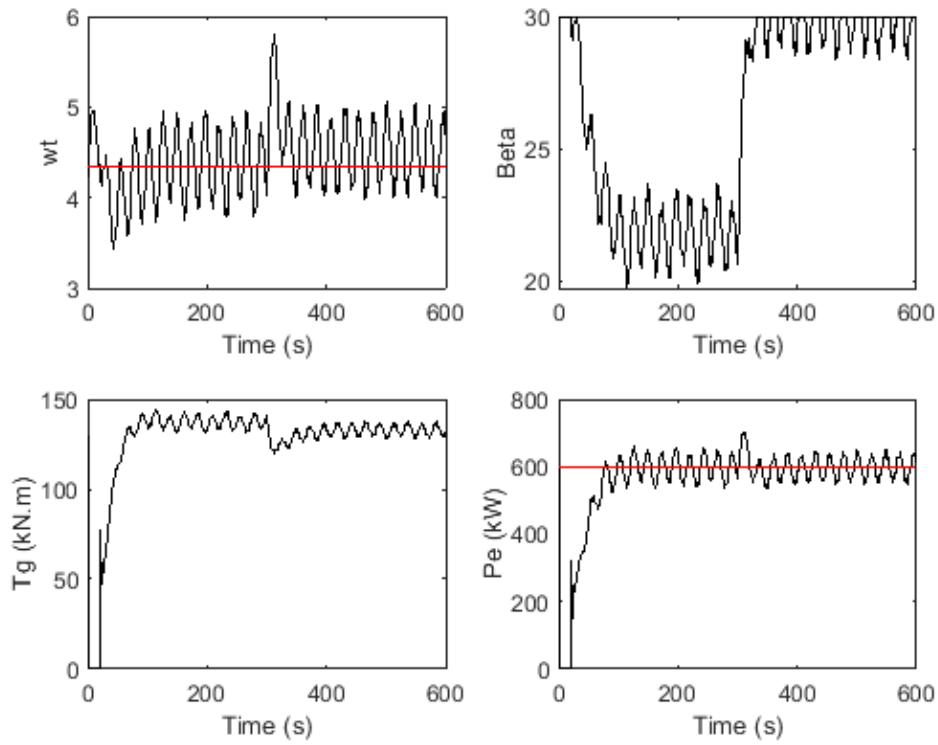


Fig. 9. Control of ω_t and P_e with alternating wind in the high-speed region (iP controller)

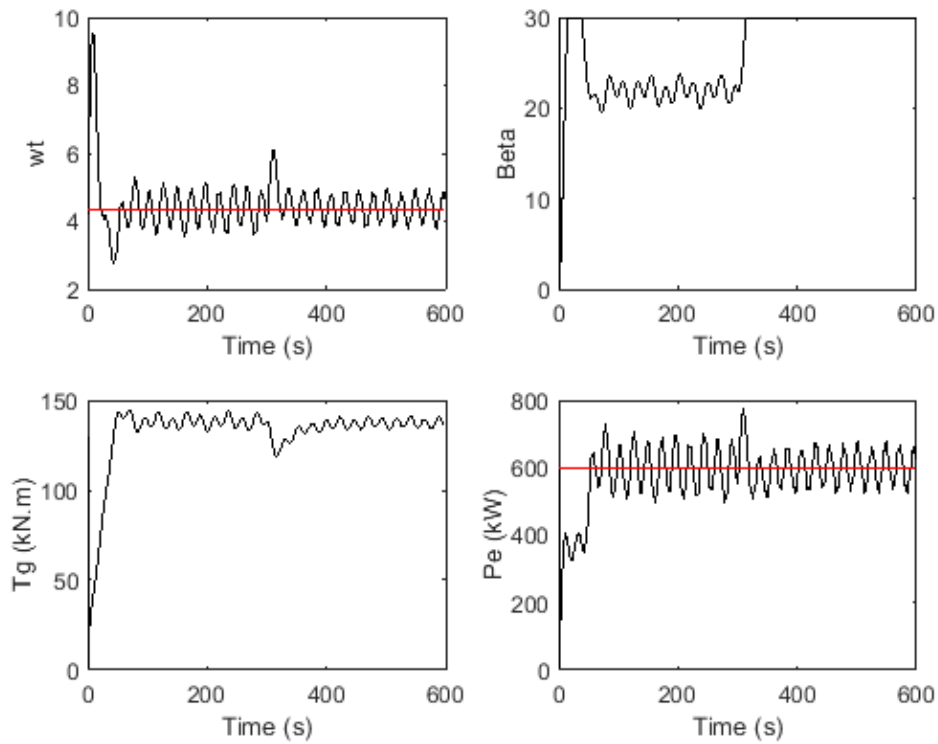


Fig. 10. Control of ω_t and P_e with alternating wind in the high-speed region (PI controller)

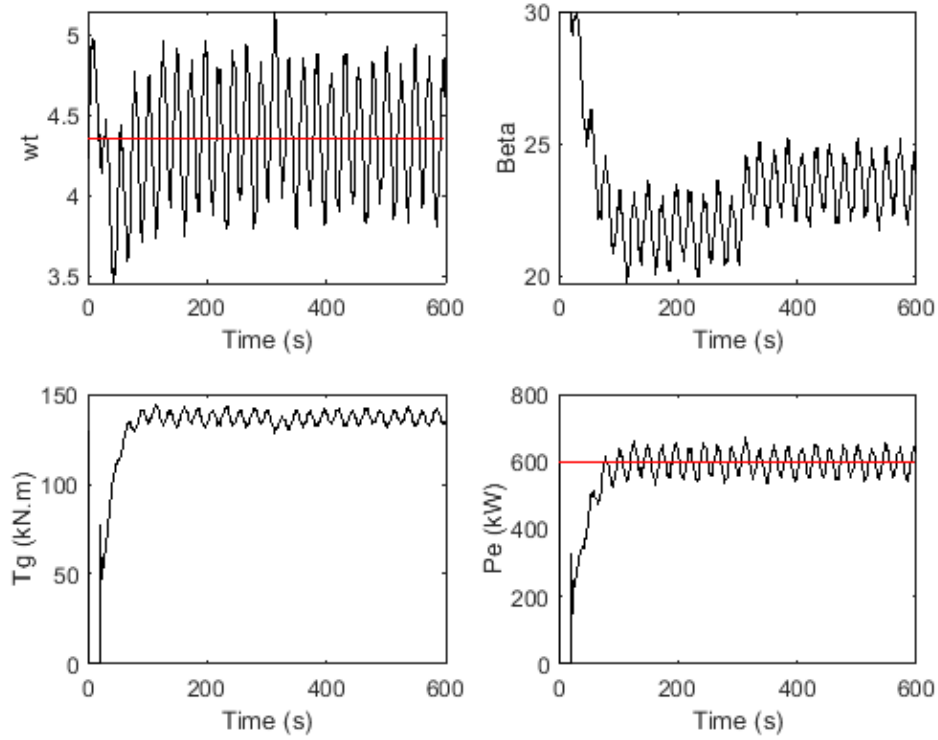


Fig. 11. Fault accomodation with iP (loss of efficiency)

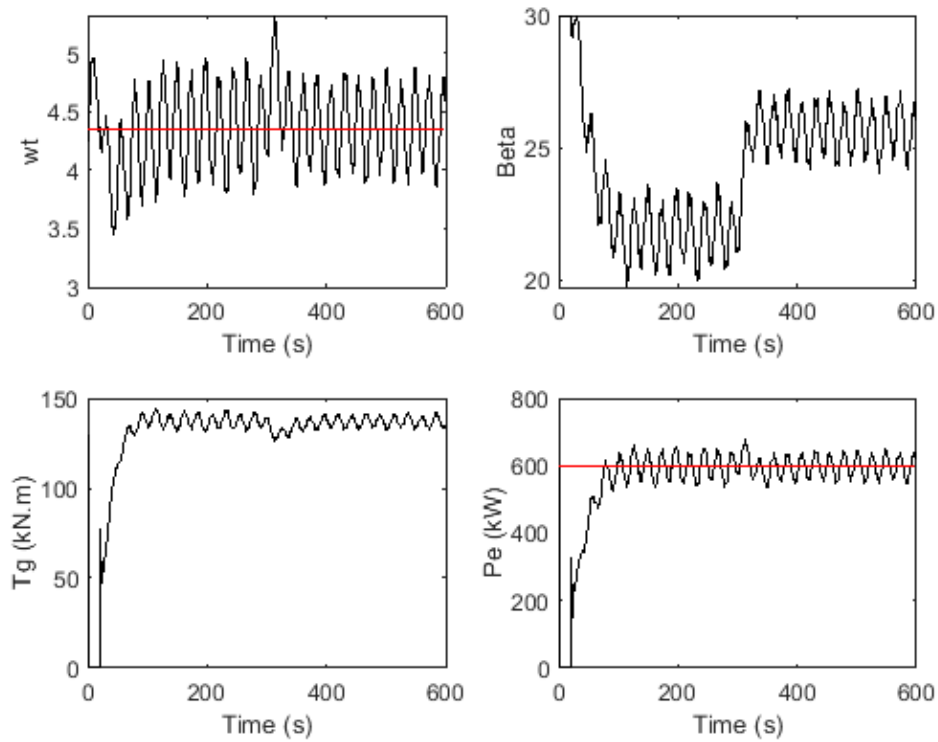


Fig. 12. Fault accommodation with iP (bias fault)